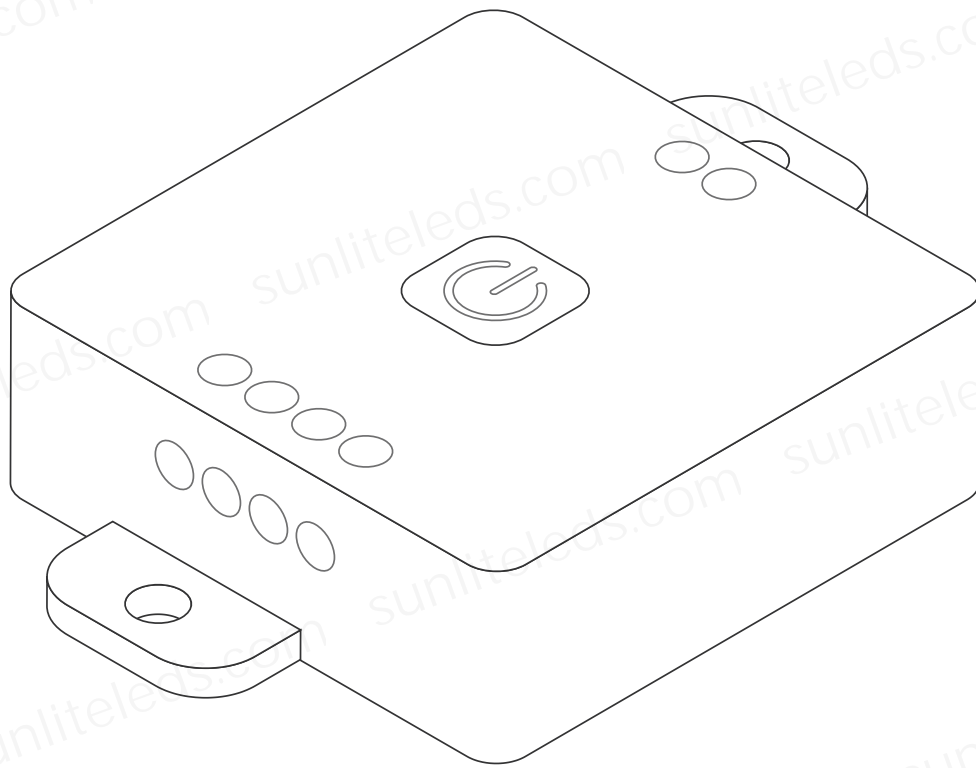


SP658E Instructions



SP658E SPI RGB LED Controller



1. Brief:

Thank you for using this product. This is an addressable RGB LED controller that has special dynamic, music and custom effects, which can meet your lighting needs in various scenarios and easily create the ideal lighting atmosphere you want.

2. Feature:

1. Supports control by the "BanlanX" and "Mi Home" App;
2. Supports voice control with "Xiao Ai";
3. Supports 2.4G touch remote control and 2.4G touch 86-type control panel;
4. Support up to 600 single-wire RZ RGB LED driver ICs;
5. Built-in various dynamic effects and music effects, adjustable multiple parameters;
6. Supports various ON/OFF animation effects;
7. With ON/OFF timer function;
8. Supports OTA firmware upgrade.

Note: More dynamic effects, music effects, DIY effects, calibrating channel colors, and other functions need to be connected to the "BanlanX" APP to use.

3. Apps:


1. SP658E supports control by the "BanlanX" and "Mi Home" APP, supports both IOS and Android OS;
2. Apple devices require IOS10.0 or higher, and Android devices require Android 4.4 or higher.

BanlanX APP

Scan the product QR code, or search for "BanlanX" in App Store or Google Play, download and install the BanlanX APP.



Operations

- Open the App, click the + icon in the top right corner of the home page to add device;
- Click the  icon in the upper right corner of the App to enter the settings page, where you can modify the device name, set the timings, set the on/off effect, OTA firmware upgrade, etc.

Mi Home App

Scan the product's QR code, or search for "Mi Home" in the app store, download and install the Mi Home app. Users who have already installed the Mi Home app will be guided to the device connection page.

Notice: This product needs to be paired with a "Xiao Ai" smart speaker to enable intelligent control. Please scan the QR code to view the list of compatible products:



C773A116



Add device

- ① Open the Mi Home app and log in to your account;
- ② Click on the upper right corner of the app homepage "+", enter the add device page;
- ③ Or click on the upper right corner of the app homepage "+", then click on scan, scan the product QR code, and then follow the page prompts to complete the device add and use.

Tip 1: If the product QR code cannot be scanned, you can add the device by searching for the product name.

In addition, due to the constant upgrading and updating of the Mi Home app, the actual operation may be slightly different from the above description, please follow the current Mi Home app guidance.

Tip 2: If the device is not found according to the above steps, you can reset the device and then add it. Reset method: power on the device, press and hold the switch key on the device for about 3 seconds, wait for the indicator light to flash, and then add the device again according to the method.

4.Work With 2.4G Touch Remote Control:

The 2.4G touch remote control models (RB3 and RC3) that are compatible with SP658E are as follows:

- Support one-to-many control, one remote control can control multiple controllers;
- Support multi-to-one control, each controller can bind up to 5 remote controls;
- Support unified control and 4 zone control.

Note: For detailed instructions, see the "2.4G Touch Remote Control Instructions".



RB3



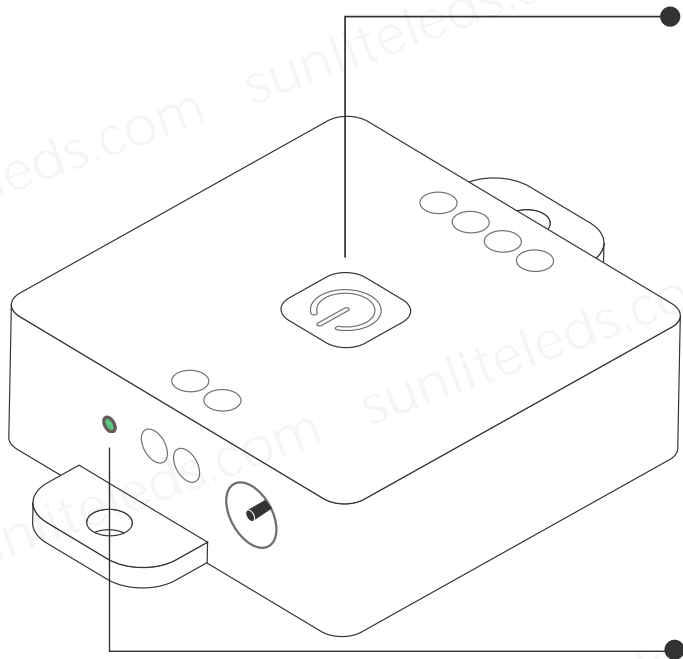
RC3

(RB3 and RC3 need to be purchased separately)

5. Technical Parameters:

Working Voltage: DC5V~24V	Working Current: 5mA~18mA
Working Temp: -20°C~60°C	Dimension: 78mm*56mm*20mm

6.Indicator light and button:



Button description:

Short press: turn on/off the light;

Long press: enter network configuration mode.

Indicator light status description:

Working status indication: green light on;

Network configuration status indication: green light flashing;

Receiving remote control data indication: receiving one data, green light flashing once.

7.Wiring:

